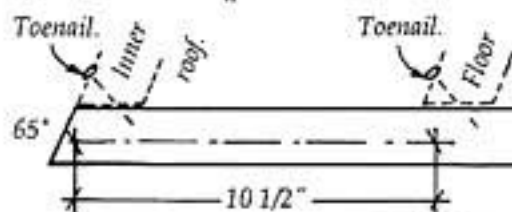
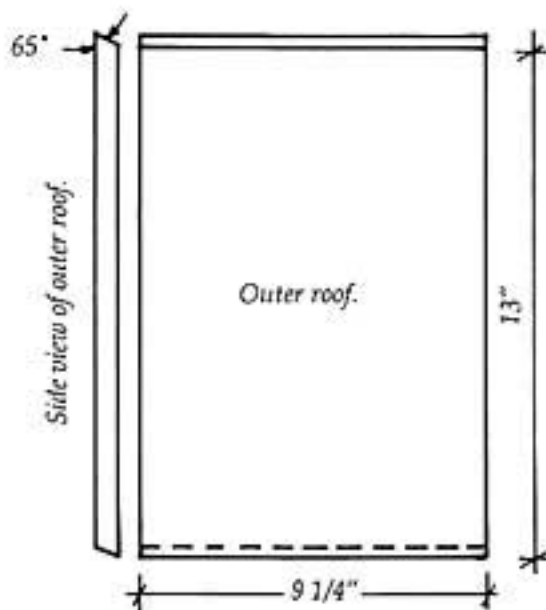
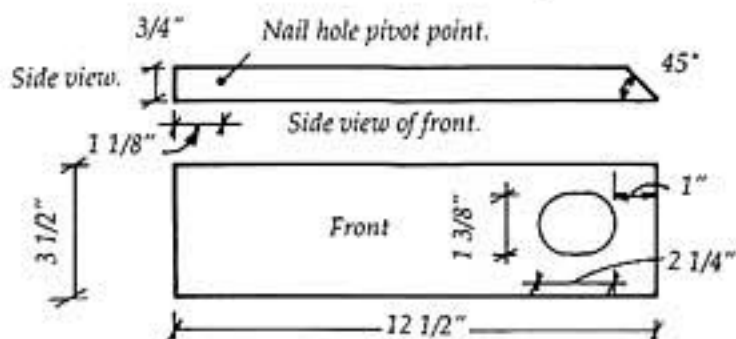
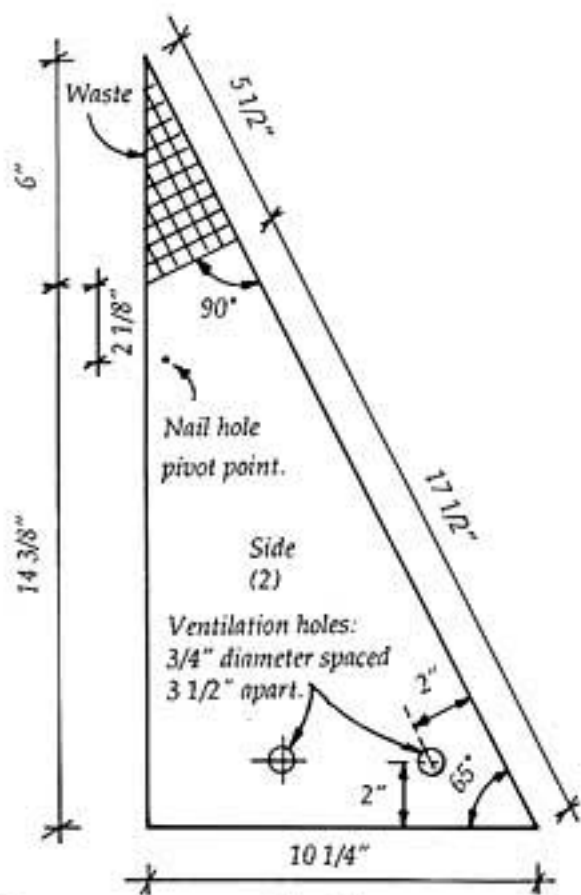


# PETERSON BLUEBIRD HOUSE

Reprinted with permission from Carrol Henderson,  
Woodworking for Wildlife

©1992 Minnesota Department of Natural Resources



Both of these edges are toe-nailed to back.

